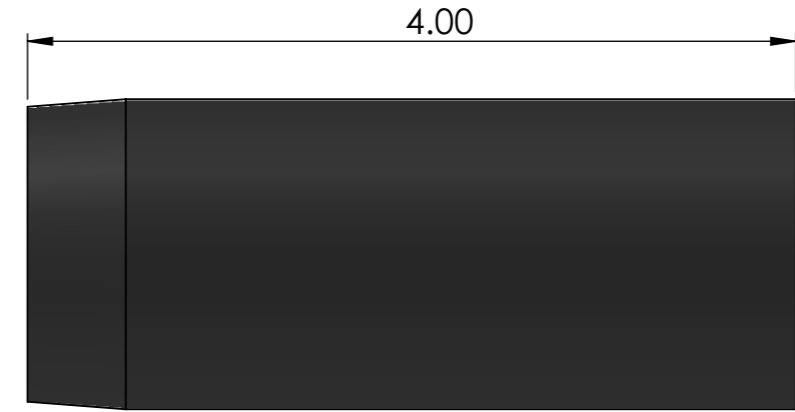
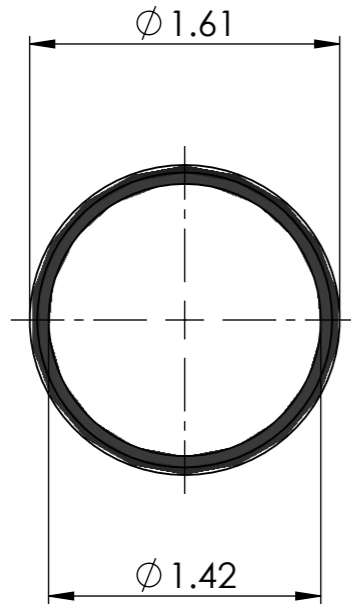
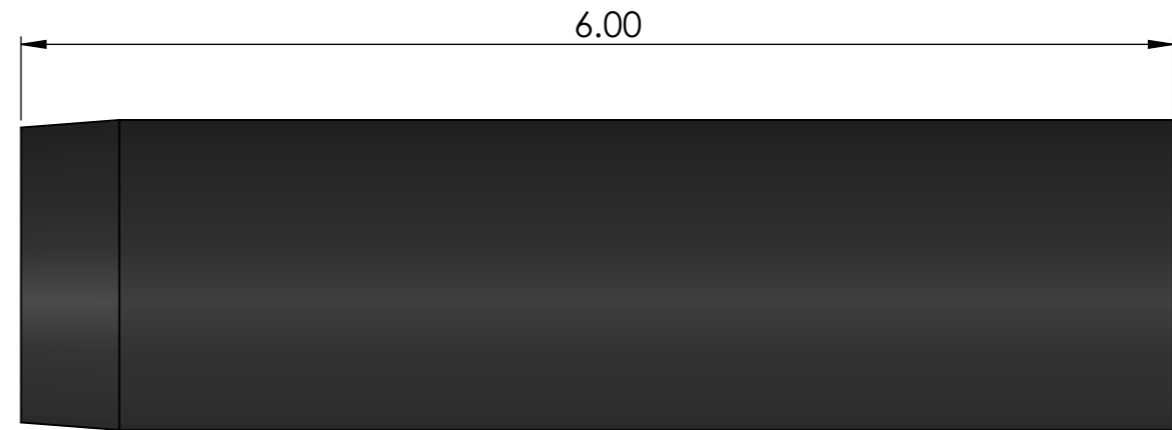


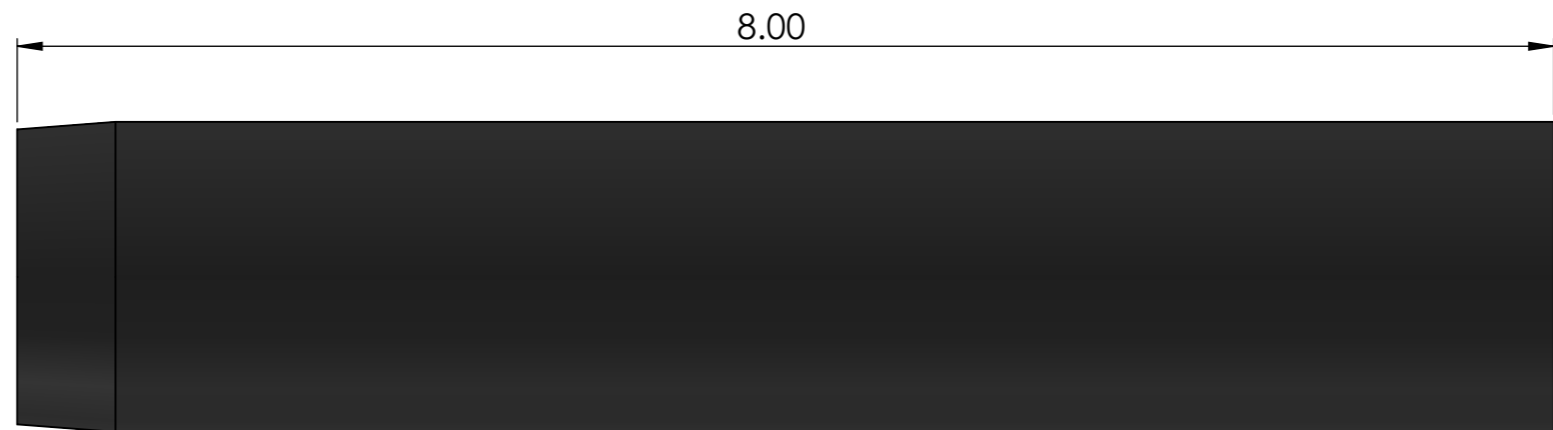
*Simmons standing overflow tubes
Made of Polypropylene
1.5" Nominal diameter*



OT - 4



OT - 6



OT - 8

Simmons Recommended machining sizes :

Drop In:		Undermount:	
Proprietary & Confidential		Drawing No:	Date:
<small>The information contained in this drawing is the sole property of Simmons Mouldings Ltd. Any reproduction in part or as a whole without the written permission of Simmons Mouldings Ltd is strictly prohibited.</small>		○	Arron Owen
		Revision:	Title:
		Overflow Tubes	

SIMMONS