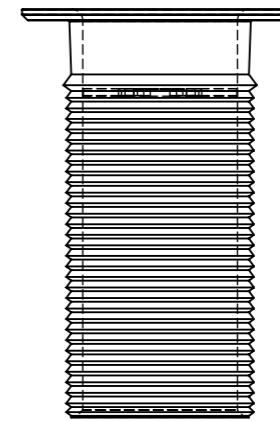
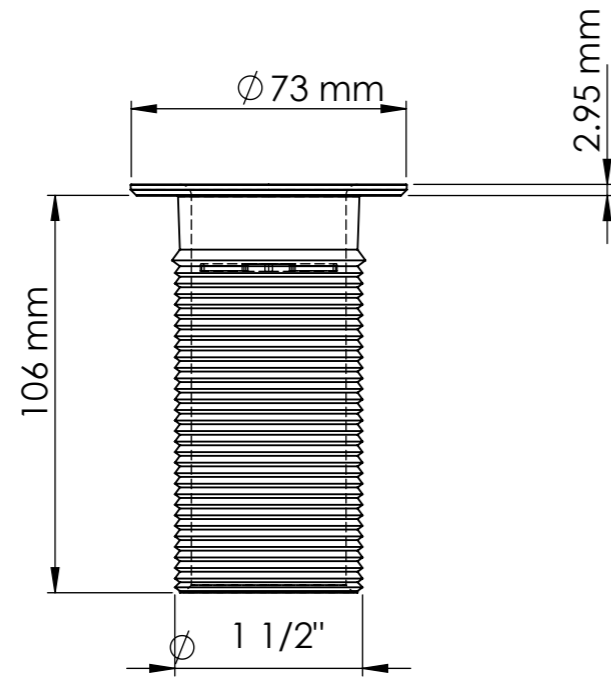
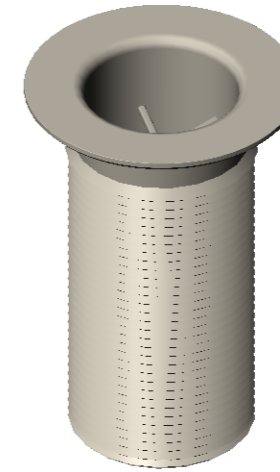
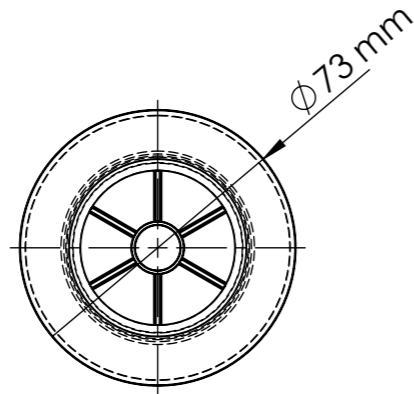


KEY : S504-B - Black
 : S504-W - White
 : S504-G - Grey



NB: Waste is supplied complete with nut, washer & Stopper as standard.

DO NOT SCALE DRAWING

REVISION

Unless otherwise specified, All Dimensions are in mm's. However due to the nature of the material all dimensions are Nominal

	NAME	SIGNATURE	DATE
DRAWN	SJ & AO		21/09/2020
CHK'D			
APPV'D			
		MATERIAL:	

TITLE:
Standard Outlet

DWG NO.

SHEET 1 OF 1

SIMMONS

Proprietary & Confidential

The information contained in this drawing is the sole property of **Simmons Mouldings Ltd.** Any reproduction in part or as a whole without the written permission of **Simmons Mouldings Ltd** is strictly prohibited.